

**ADDENDUM NUMBER One**  
**TO THE PLANS AND SPECIFICATIONS FOR**  
**Seminole State College**  
**Seminole, OKLAHOMA**  
**Cooling Tower Replacement**

DATE: 11/09/2021

**NOTICE:** The following amendments, additions, deletions, and/or corrections are hereby made to the drawings and specifications where applicable to accomplish the following.

**MECHANICAL ITEMS:**

**REFERENCE THE DRAWINGS:**

**REFER TO SHEET M3.0 MECHANICAL SCHEDULES and DETAILS**

1. Refer to Fluid Cooler Schedule. Schedule modified to meet system requirements.
2. Refer to 1 Cooling Tower Details; dimensions modified to match modified scheduled unit.

END OF MECHANICAL ADDENDUM NO. One

**ELECTRICAL ITEMS:**

**REFERENCE THE DRAWINGS:**

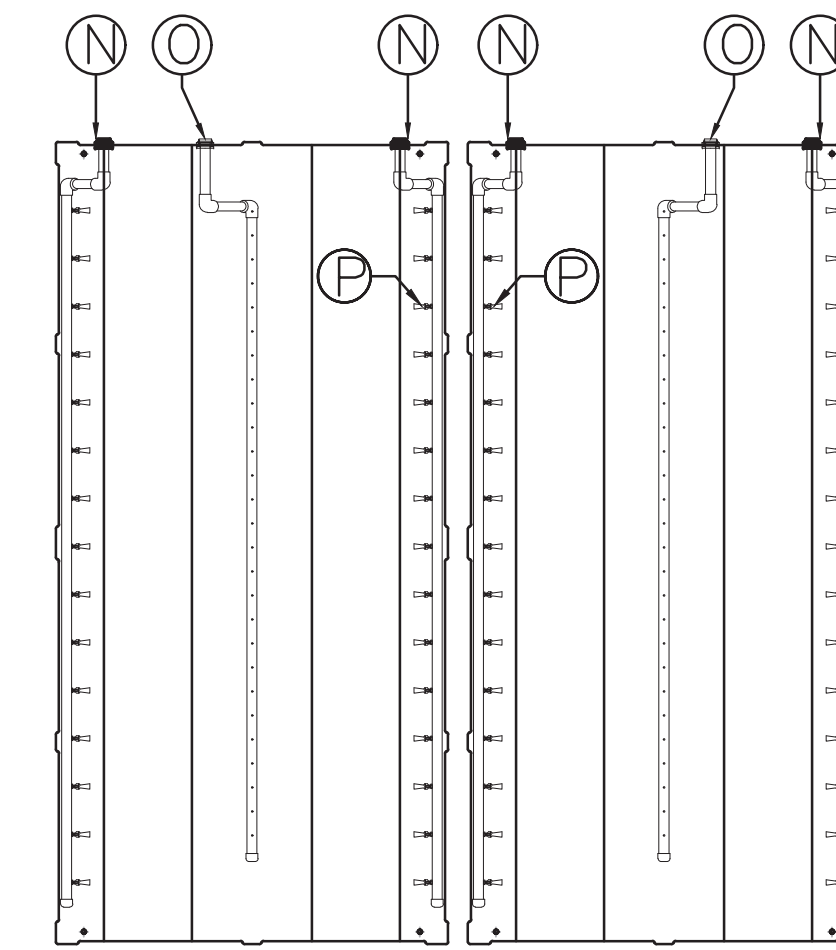
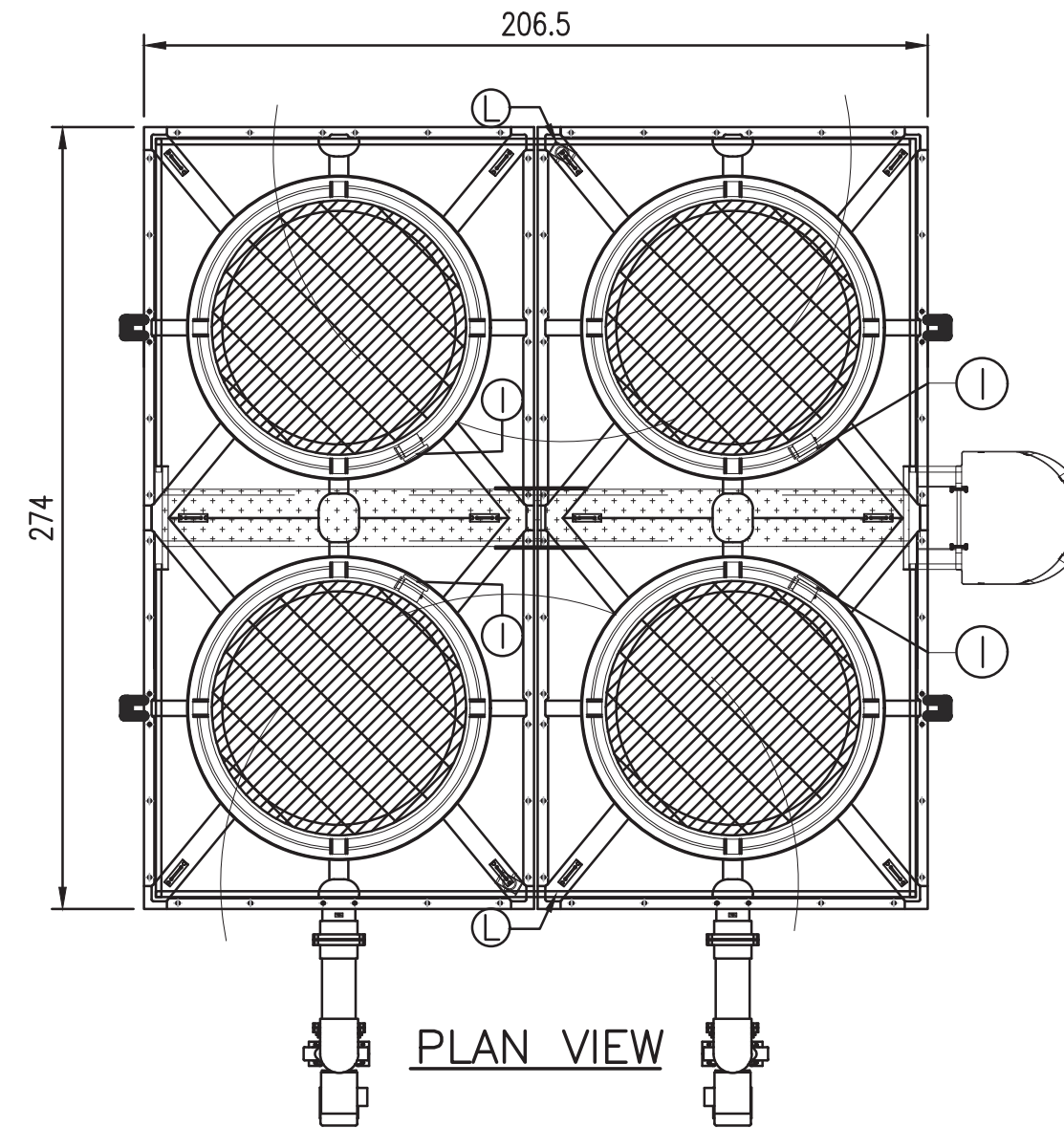
**REFER TO SHEET E100 ELECTRICAL PLAN**

1. Refer to Mechanical Equipment Schedule. HP has changed from 7.5 to 15 HP for the cooling tower fans. Keyed note 3 has been added.
2. Refer Plan Keyed Notes. Additional information has been added to keyed note 5.

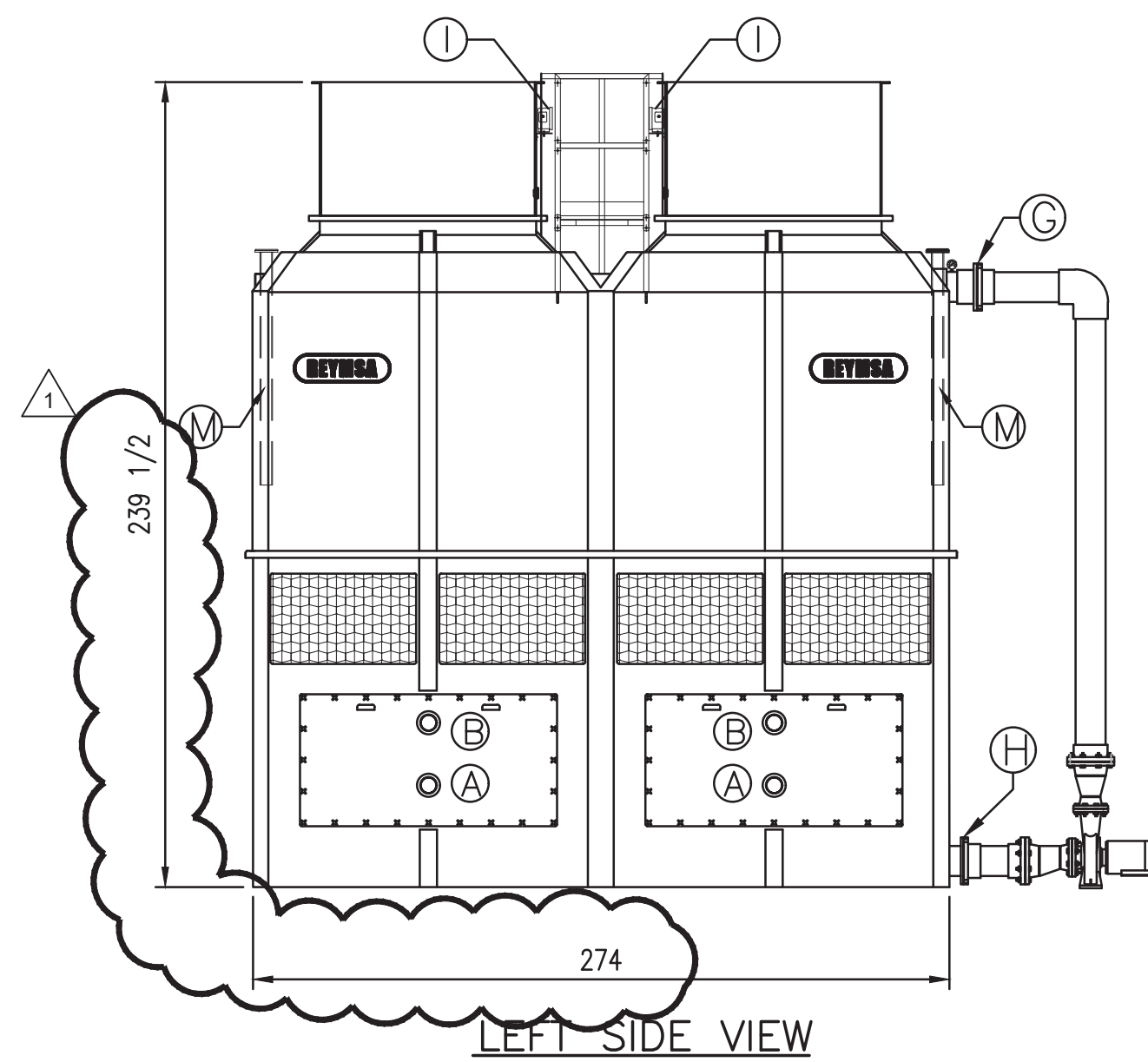
END OF Electrical ADDENDUM NO. One

CONNECTION DIAMETER		
(A) Hot Water Inlet: 4 GROOVED:		4"φ
(B) Cold Water Outlet: 4 GROOVED:		4"φ
(C) Overflow:	2 FPT (Female Pipe Thread):	2"φ
(D) Water make-up:	2 FPT (Female Pipe Thread):	2"φ
(E) Drain:	2 FPT (Female Pipe Thread):	2"φ
(F) Purge:	2 FPT (Female Pipe Thread):	1/4"φ
(G) Recirculation Hot Water Inlet:	2 FLANGES:	8"φ
(H) Recirculation Cold Water Outlet:	2 FLANGES:	8"φ
(I) Vibration Cut-Off Switch:	1 Per Fan Duct	
(J) Sensor Heater:	2 FPT (Female Pipe Thread):	1/2"φ
(K) Basin Heater:	4 FPT (Female Pipe Thread):	2"φ
(L) Davit Structure:	-----	
(M) Davit Support: (2) Piping SS SCH 40:		4"φ
(N) Separator Outlet:	4 FLANGES:	2 1/2"φ
(O) Separator Inlet:	2 FLANGES:	2 1/2"φ
(P) Nozzles:	60 Sweeper Jet Nozzles:	1/4"φ
(Q) Water Level Control:	4 Holes:	7/8"φ

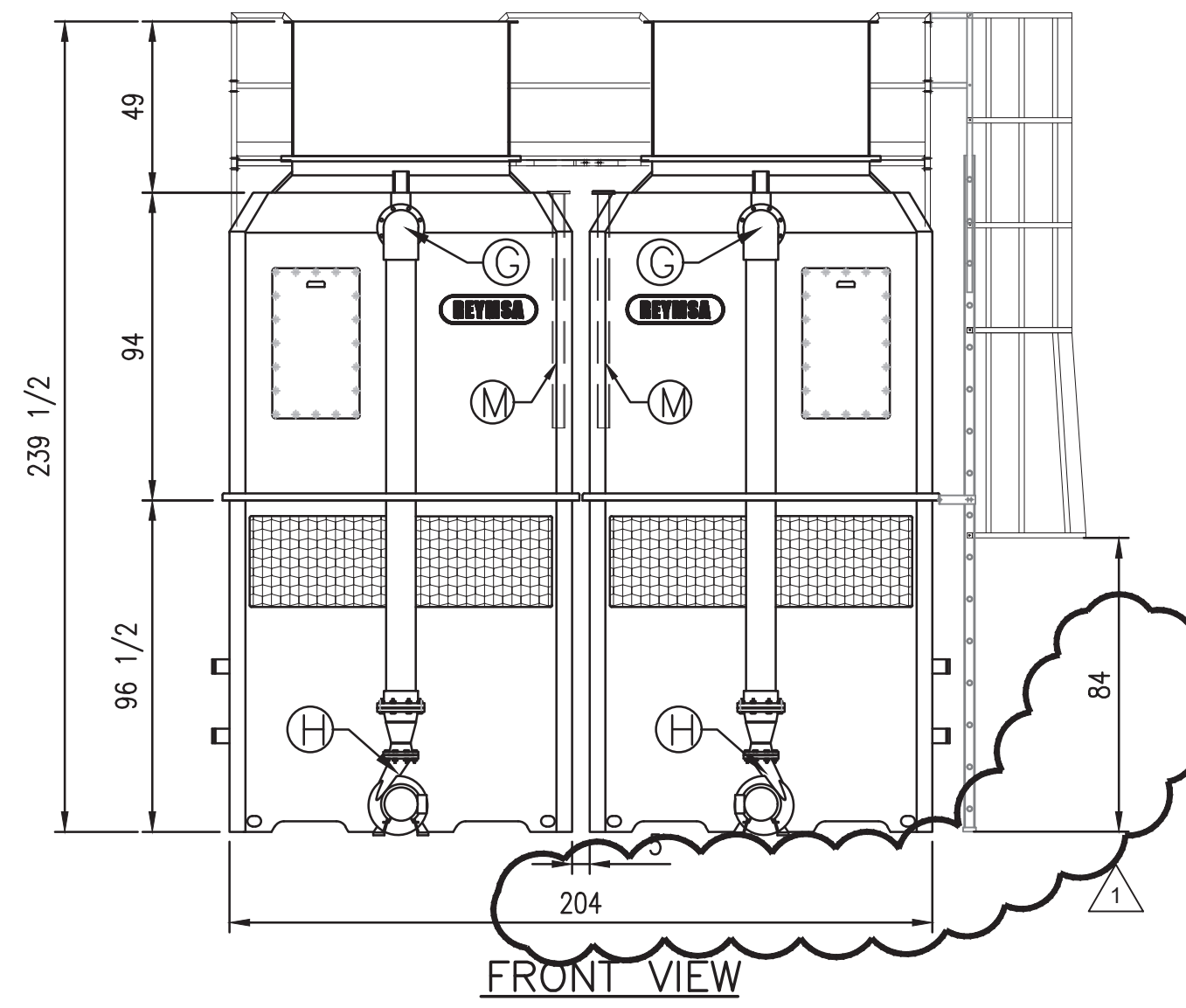
NOTE: 1.-DO NOT USE FOR CONSTRUCTION, MAY VARY  
2.-LADDER MUST BE SUPPORT ON A LEVEL SURFACE



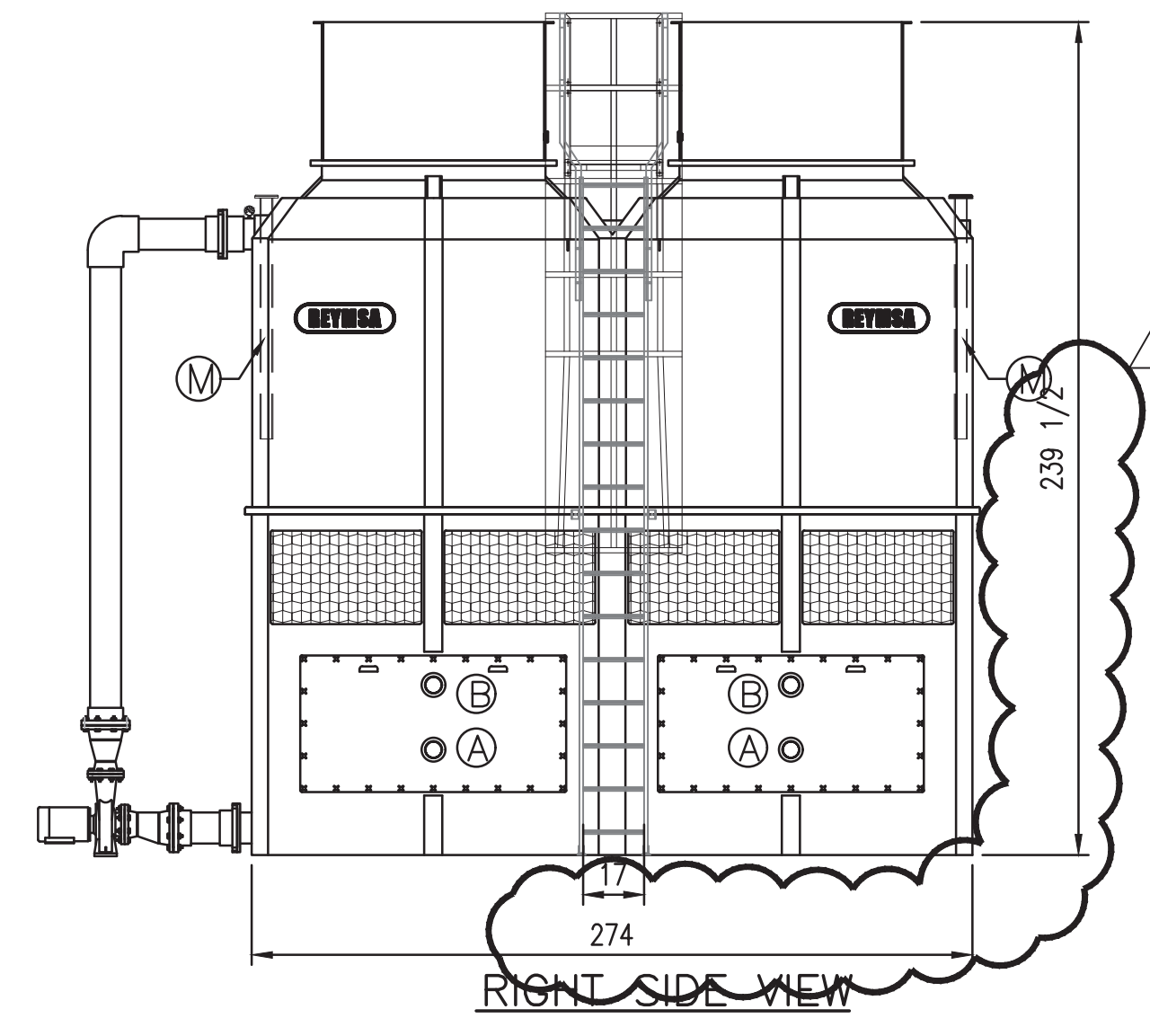
BOTTOM VIEW



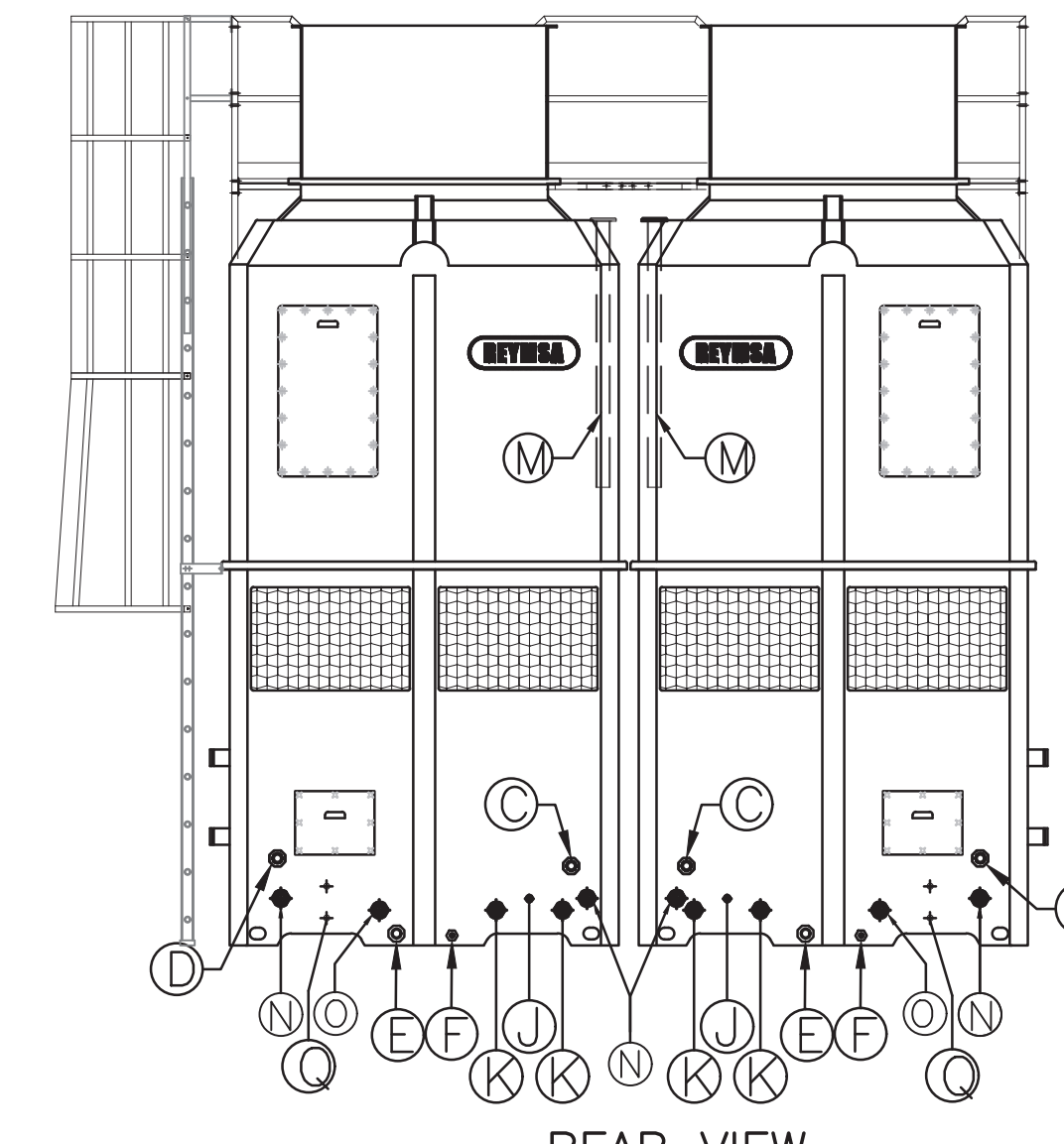
LEFT SIDE VIEW



FRONT VIEW



RIGHT SIDE VIEW



REAR VIEW

# 1 COOLING TOWER DETAILS

SCALE: 1/4"=1'-0"  
REFER:

## Boiler Schedule

MARK	TYPE	STYLE	GAS INPUT	GAS OUTPUT	WATER CONTENT	GAS STAGES	GAS VENT	WATER CONN INLET/OUTLET	GAS CONNECTION	STACK CONNECTION	GPM / P.D.	EWT / LWT	HP	POWER AMPS	POWER VOLT/PH	WEIGHT LBS	MANUFACTURER MODEL	NOTES
B-2	NATURAL GAS	INDOOR	4,250 MBTUH	3,400 MBTUH	133 GALLON	MODULATING	1"	4" FL	2"	28"	240 / 24"	120 / 148.3	1.5	20	120/1	8,145	REYMSA HFC-1622415-SL	1,2,3 & 4

NOTES:  
1. PROVIDE BOILER CONTROL PANEL, BY BOILER MANUFACTURER. CONNECT TO EXISTING CONTROL SYSTEM. FIELD VERIFY EXACT REQUIREMENTS.  
2. CONNECT BOILER FLUE TO EXISTING FLUE THRU ROOF. CONNECT AND INSTALL IN ACCORDANCE WITH MANUFACTURERS INSTALLATION REQUIREMENTS.  
3. CONNECT TO EXISTING BOILER PIPING, GAS AND CONDENSER WATER. PROVIDE NEW BOILER CIRC PUMP. NOTE: EXISTING CONTROL CIRCULATION VALVE TO REMAIN AND BE UTILIZED.  
4. PROVIDE ASME RELIEF VALVE AND LOW WATER CUTOFF...

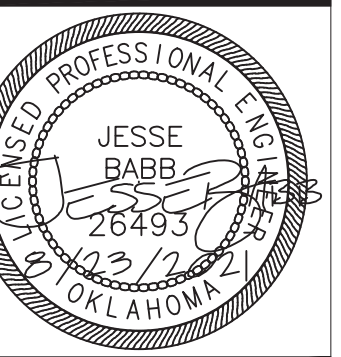
## Fluid Cooler Schedule

MARK	FLOW GPM	ENTERING			LEAVING			FAN DATA				SPRAY WATER PUMP DATA				COIL DATA		SOUND PRESSURE LEVEL @ 30'	MANUFACTURER MODEL	REMARKS
		WATER TEMP	WET TEMP	WET BLUB	WATER TEMP	WET TEMP	WET BLUB	WEIGHT LBS	QUANTITY	HP (EACH)	AIR FLOW	VOLTAGE	FLOW	QUANTITY	HP (EACH)	QUANTITY	MAX FLUID P.D.			
CT-1	700	93° F	83° F	78.5° F	33,530 LBS	2	15	141,600 CFM	460/3/60	1560 GPM	1	15	2	2.0 PSI	64 d (BA)	REYMSA HFC-1622415-SL	(2) 10 KW BASIN HEATERS, CONTROL PANEL			
CT-2	700	93° F	83° F	78.5° F	33530 LBS	2	15	141,600 CFM	460/3/60	1560 GPM	1	15	2	2.0 PSI	64 d (BA)	REYMSA HFC-1622415-SL	(2) 10 KW BASIN HEATERS, CONTROL PANEL			

NOTES:  
1. PROVIDE OPTIONAL FINS ON COIL FOR AMBIENT COOLING.  
2. PROVIDE FOUR STAGE TEMPERATURE CONTROL.  
3. PROVIDE COOLING TOWER CONTROL PANEL AND SINGLE POINT ELECTRICAL CONNECTION. CONTRACTOR MUST PROVIDE FIELD WIRING FROM CONTROLLER TO COMPONENTS.  
4. COOLING TOWER CONTROLLER SHALL BE FRANKLIN C3-MM2CTP015GLX-J-01: N3R 2X 15HP 460V VFD's CTP W/ Multi-Motor Control, Spray Pumps, Basin Heaters, Temperature Controllers, Line Reactors, Motor Heaters, Panel Heater.

## Pump Schedule

MARK	TYPE	SERVICE	GPM	HEAD FEET	HP	RPM	VOLTAGE	PUMP EFFICIENCY	PUMP WEIGHT	PUMP SIZE	MANUFACTURER MODEL	REMARKS
P-1	END SUCTION	CONDENSER WATER	1200	95	40	1750	460/3/60	66	1120 LBS	8"x6"x13"	ARMSTRONG 4030	PROVIDE VFD, STAINLESS STEEL SHAFT, CERAMIC MECH SEAL AND LAZER ALIGNMENT OF SHAFT.
BCP-2	INLINE VERTICAL	BOILER CIRCULATION	280	30	3	1750	460/3/60	63.15	210 LBS	3"x3"x8"	ARMSTRONG 4300	INTERLOCK WITH BOILER B-2 FIRING



PROJECT

ADDENDUM 1, 11-09-2021

SHEET TITLE  
**Mechanical Schedules and Details**

CD

Project No: 140.21  
CA No: CA2192  
Expiration: 6/30/2022  
Issue Date: 08/23/2021  
Drawn by: RAC  
Checked by: RD  
SHEET No.

**M3.0**